

MonoPower Micro

ASP M5-36 Series 95W-110W

Monocrystalline PV-module



QUALITY & RELIABILITY

Best raw materials, optimized production process and accurate testing makes the quality difference



GERMAN ENGINEERING

Best design by the art of German engineering



SAVE INVESTMENT

Product warranty of 12 years and performance warranty of 25 years



POSITIVE PERFORMANCE TOLERANCE

Up to +5 W plus-tolerance on output



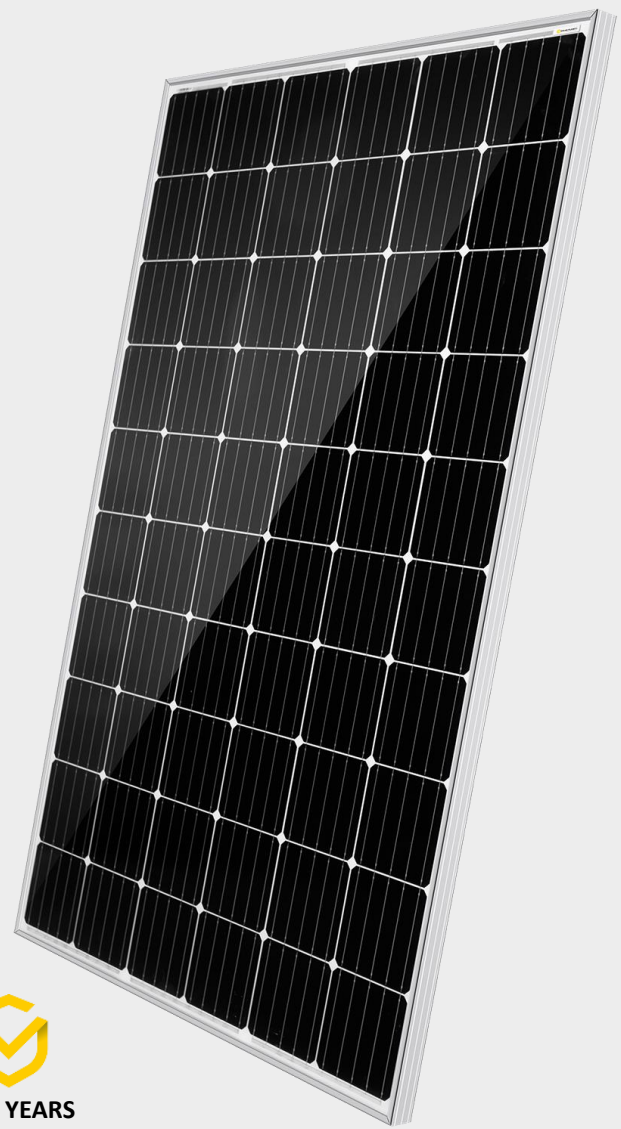
FOR ALL ENVIRONMENTAL CONDITIONS

Resistant against PID, sand, salt and ammonia



STABLE AND STRONG

Capable to bear heavy snow loads up to 5400 Pa and wind loads up to 2400 Pa



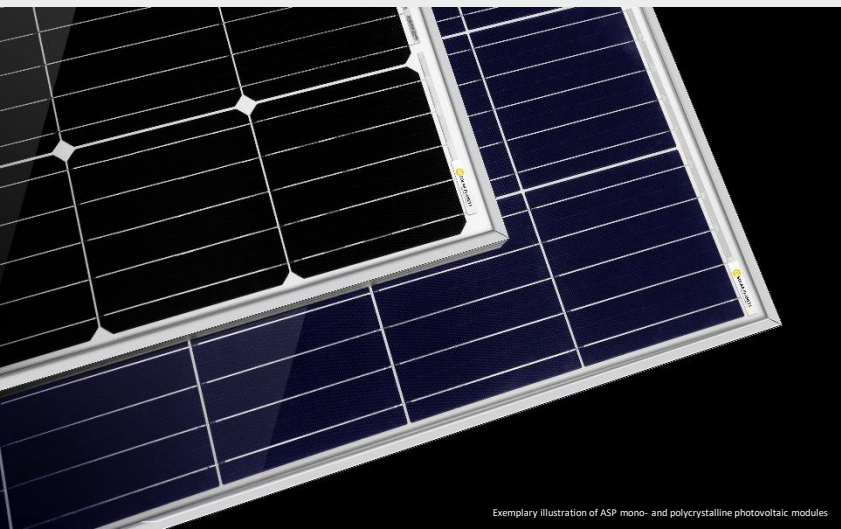
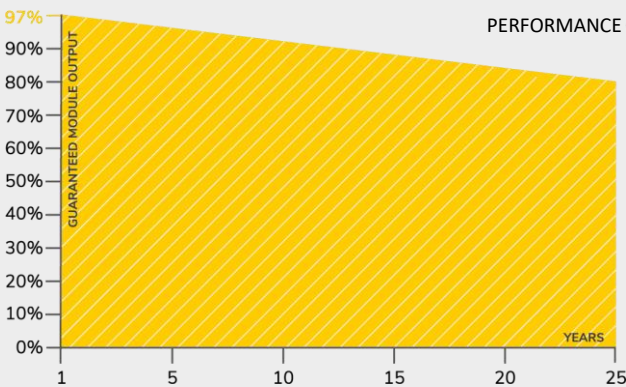
12 YEARS
PRODUCT WARRANTY

Exemplary illustration of ASP M5-60

OUR PERFORMANCE GUARANTEE



25 YEARS
PERFORMANCE GUARANTEE



Exemplary illustration of ASP mono- and polycrystalline photovoltaic modules

CERTIFICATES



IEC 61215
IEC 61730
PERIODICAL
INCEPTION



PID RESISTANT
SALT MIST RESISTANT
SAND RESISTANT
CORROSIVE GAS (NH₃)



ALPHA SOLAR PLANET

Enjoy the quality difference

MonoPower Micro Module

ASP M5-36 Series 95W-110W

TECHNICAL DATA

| | | ASP95M5-36 | ASP100M5-36 | ASP105M5-36 | ASP110M5-36 |
|-------------------------------------|----------|------------|-------------|-------------|-------------|
| Maximum power | Pmax(Wp) | 95 | 100 | 105 | 110 |
| Maximum power voltage | Vmp(V) | 18.90 | 19.06 | 19.22 | 19.39 |
| Maximum power current | Imp(A) | 5.03 | 5.25 | 5.46 | 5.67 |
| Open-circuit voltage | Voc(V) | 22.61 | 22.77 | 22.93 | 23.09 |
| Short-circuit current | Isc(A) | 5.36 | 5.53 | 5.69 | 5.86 |
| Module efficiency | % | 14.39 | 15.15 | 15.91 | 16.67 |
| Power tolerance | Pmax(W) | | 0/+5 | | |
| Maximum system voltage DC | V | | 1000 | | |
| Operating temperature | °C | | 40 to +85 | | |
| Temperature coefficients of Pmax | %/°C | | -0.36 | | |
| Temperature coefficients of Voc | %/°C | | -0.36 | | |
| Temperature coefficients of Isc | %/°C | | 0.06 | | |
| Nominal operating cell temp. (NOCT) | °C | | 45±2 | | |

The electrical data apply to standard test conditions (STC): Irradiance of 1000 W/m² with spectrum AM 1.5 and a cell temperature of 25°C.

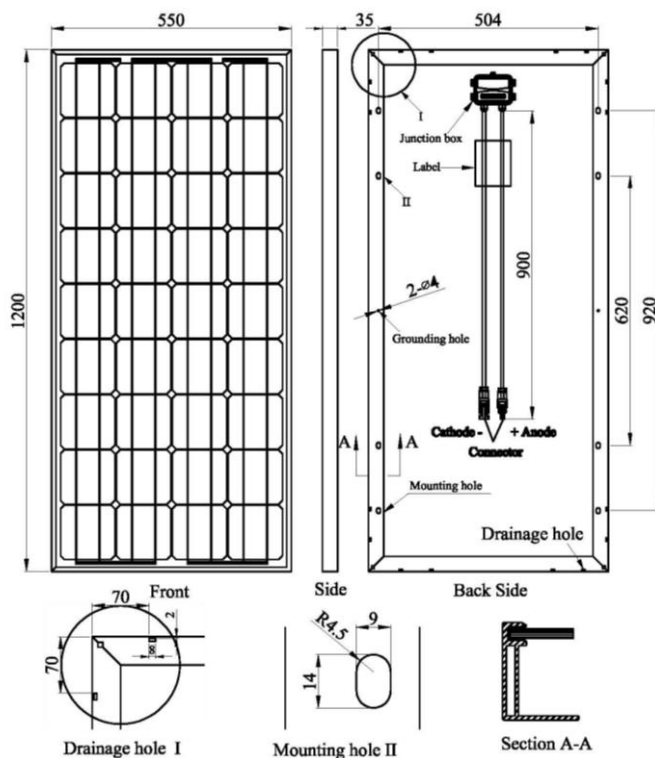
MATERIAL CHARACTERISTICS

| | |
|-----------------|-----------------------------------|
| Cell type | Monocrystalline 125 x 125 mm |
| No. of cells | 36 (4 x 9) |
| Dimensions | 1200 x 550 x 35 mm |
| Weight | 5.8 kg |
| Junction box | IP67 rated |
| Output cable | 4.0 mm ² , 900 mm |
| Connector type | MC4 / MC4 compatible |
| Hail resistance | Max. Ø 25 mm, at 23 m/s |
| Wind load | 2400 Pa / 244 kg / m ² |
| Mechanical load | 5400 Pa / 550 kg / m ² |

PACKING INFORMATION

| | |
|-----------------------|-----------------------|
| Packing configuration | 96pcs / double pallet |
| Loading capacity | 1728 pcs / 40 HQ |
| Size / pallet | 1250 x 1135 x 2325 mm |
| Weight | 665 kg / pallet |

DRAWINGS



Alpha Solar Planet GmbH
Schwalbenweg 1 g, 86343 Königsbrunn
GERMANY

Tel.: +49 8231 99190 70
Fax: +49 8231 99190 89

E-mail: sales@a-s-p.solar
Web: www.a-s-p.solar

