

MonoPower Micro

ASP M5-60 Series 150W-170W

Monocrystalline PV-module



QUALITY & RELIABILITY

Best raw materials, optimized production process and accurate testing makes the quality difference



GERMAN ENGINEERING

Best design by the art of German engineering



SAVE INVESTMENT

Product warranty of 12 years and performance warranty of 25 years



POSITIVE PERFORMANCE TOLERANCE

Up to +5 W plus-tolerance on output



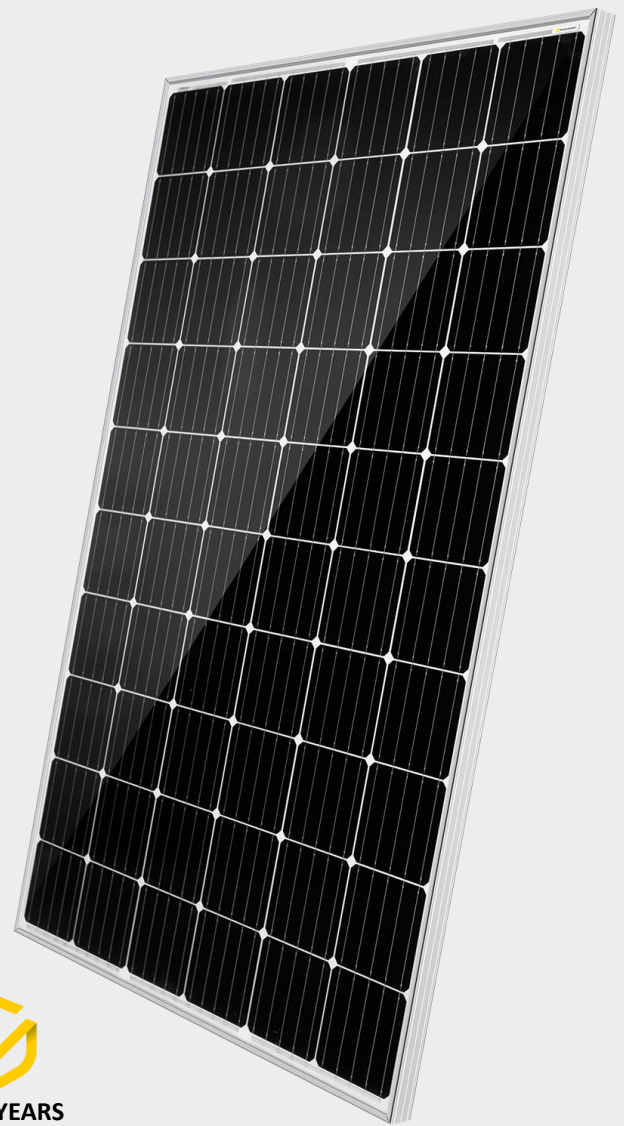
FOR ALL ENVIRONMENTAL CONDITIONS

Resistant against PID, sand, salt and ammonia



STABLE AND STRONG

Capable to bear heavy snow loads up to 5400 Pa and wind loads up to 2400 Pa

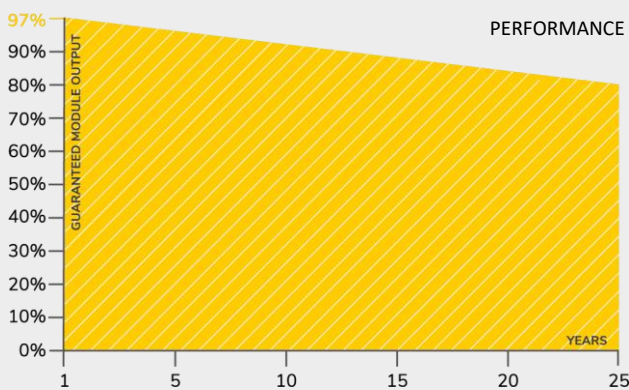


12 YEARS
PRODUCT WARRANTY

OUR PERFORMANCE GUARANTEE



25 YEARS
PERFORMANCE GUARANTEE



CERTIFICATES

SGS
TÜV
SAAR

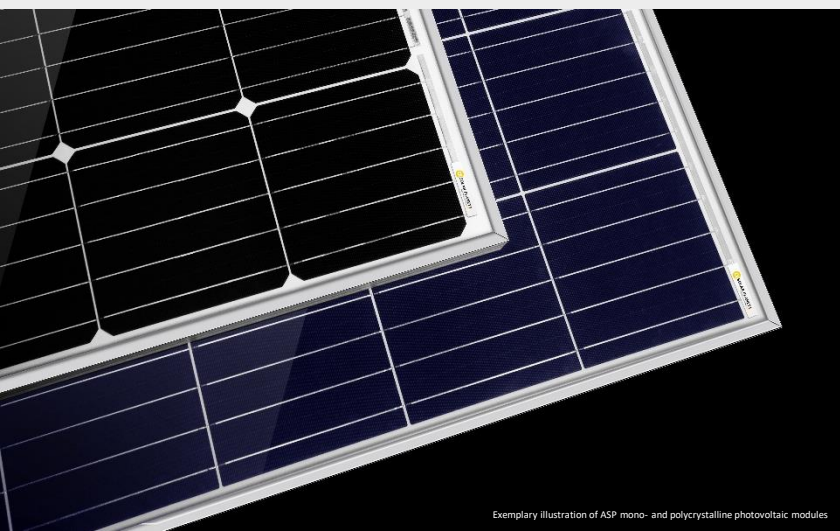
IEC 61215
IEC 61730
PERIODICAL
INCEPTION

SGS

PID RESISTANT
SALT MIST RESISTANT
SAND RESISTANT
CORROSIVE GAS (NH₃)

CE

CEC



SOLAR PLANET

Enjoy the quality difference

MonoPower Micro Module

ASP M5-60 Series 150W-170W

TECHNICAL DATA

		ASP150M5-60	ASP155M5-60	ASP160M5-60	ASP165M5-60	ASP170M5-60
Maximum power	P _{max} (Wp)	150	155	160	165	170
Maximum power voltage	V _{mp} (V)	31.23	31.39	31.56	31.72	31.88
Maximum power current	I _{mp} (A)	4.80	4.94	5.07	5.20	5.33
Open-circuit voltage	V _{oc} (V)	37.41	37.57	37.74	37.90	38.06
Short-circuit current	I _{sc} (A)	5.19	5.29	5.39	5.49	5.59
Module efficiency	%	13.96	14.42	14.89	15.35	15.82
Power tolerance	P _{max} (W)	0/+5				
Maximum system voltage DC	V	1000				
Operating temperature	°C	-40 to +85				
Temperature coefficients of P _{max}	%/°C	-0.36				
Temperature coefficients of V _{oc}	%/°C	-0.36				
Temperature coefficients of I _{sc}	%/°C	0.06				
Nominal operating cell temp. (NOCT)	°C	45±2				

The electrical data apply to standard test conditions (STC): Irradiance of 1000 W/m² with spectrum AM 1.5 and a cell temperature of 25°C.

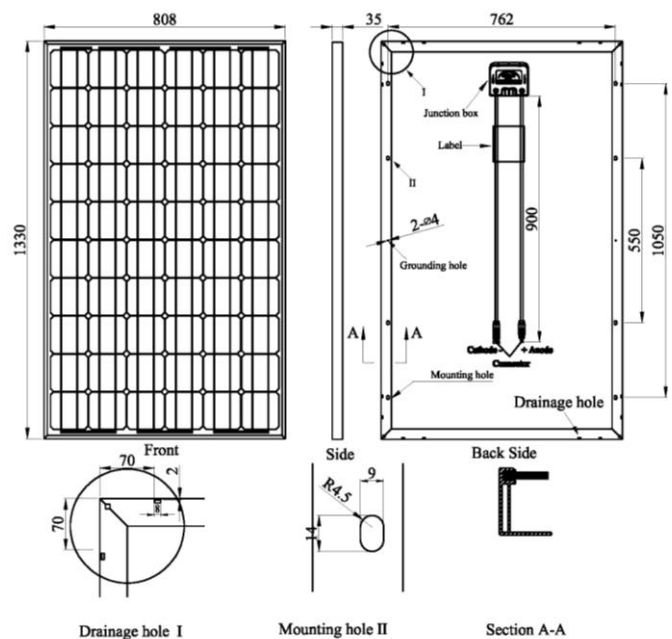
MATERIAL CHARACTERISTICS

Cell type	Monocrystalline 125 x 125 mm
No. of cells	60 (6 x 10)
Dimensions	1330 x 808 x 35 mm
Weight	11.7 kg
Junction box	IP67 rated
Output cable	4.0 mm ² , 900 mm
Connector type	MC4 / MC4 compatible
Hail resistance	Max. Ø 25 mm, at 23 m/s
Wind load	2400 Pa / 244 kg / m ²
Mechanical load	5400 Pa / 550 kg / m ²

PACKING INFORMATION

Packing configuration	70 pcs / double pallet
Loading capacity	1120 pcs / 40 HQ
Size / pallet	1380 x 1135 x 2325 mm
Weight	905 kg / pallet

DRAWINGS



Alpha Solar Planet GmbH
Schwalbenweg 1 g, 86343 Königsbrunn
GERMANY

Tel.: +49 8231 99190 70
Fax: +49 8231 99190 89

E-mail: sales@a-s-p.solar
Web: www.a-s-p.solar

